



MAKE YOUR OWN BOX TOPS COLLECTION BOX!

It's easy...here's what you need:

Scissors or craft knife (make sure children are supervised!)

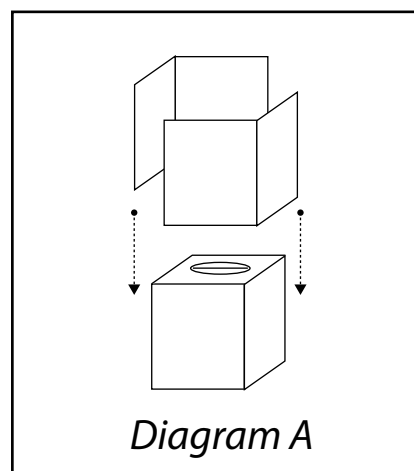
Gluestick (white school glue or tape will work, too)

Crayons or markers

1 empty Upright Kleenex® Brand Facial Tissue box (100 count)

Directions:

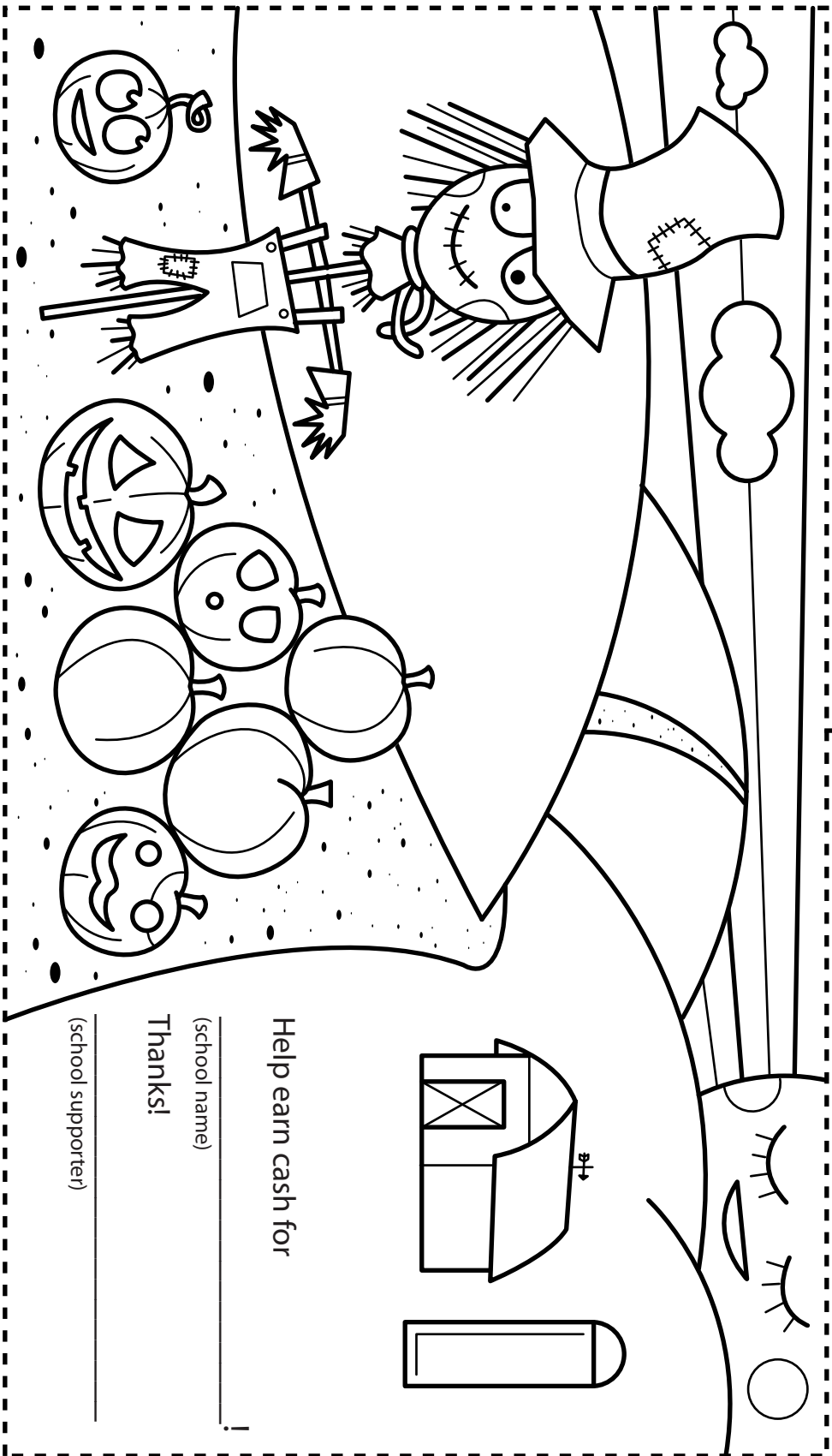
1. Print out the two-page box cover design.
2. Have your child color and decorate the box cover. If you wish, you can write your name and/or your school's name on the design, too.
3. Carefully cut out both pages of the design.
4. Fold each page around two sides of the Kleenex® box (See Diagram A), so all four sides of the box are covered. Then glue or tape it in place.
5. Collect your Box Tops by depositing them in the top of the Kleenex® box! It's a great way to keep track of them all. When the box is full, you can bring them to your school to be submitted.



Earnings tip: Make several of these containers and give them to friends and family, or bring them to work. Don't forget to label the design with your name and school. It's a great way to remind everyone to clip Box Tops...and the more you collect, the more your school can earn!

CUT ALONG DOTTED LINE

FOLD HERE



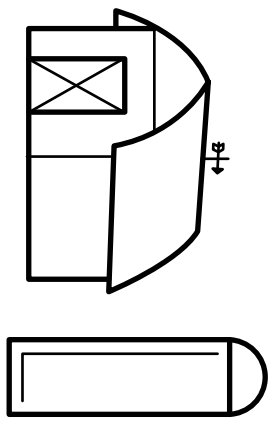
FOLD HERE

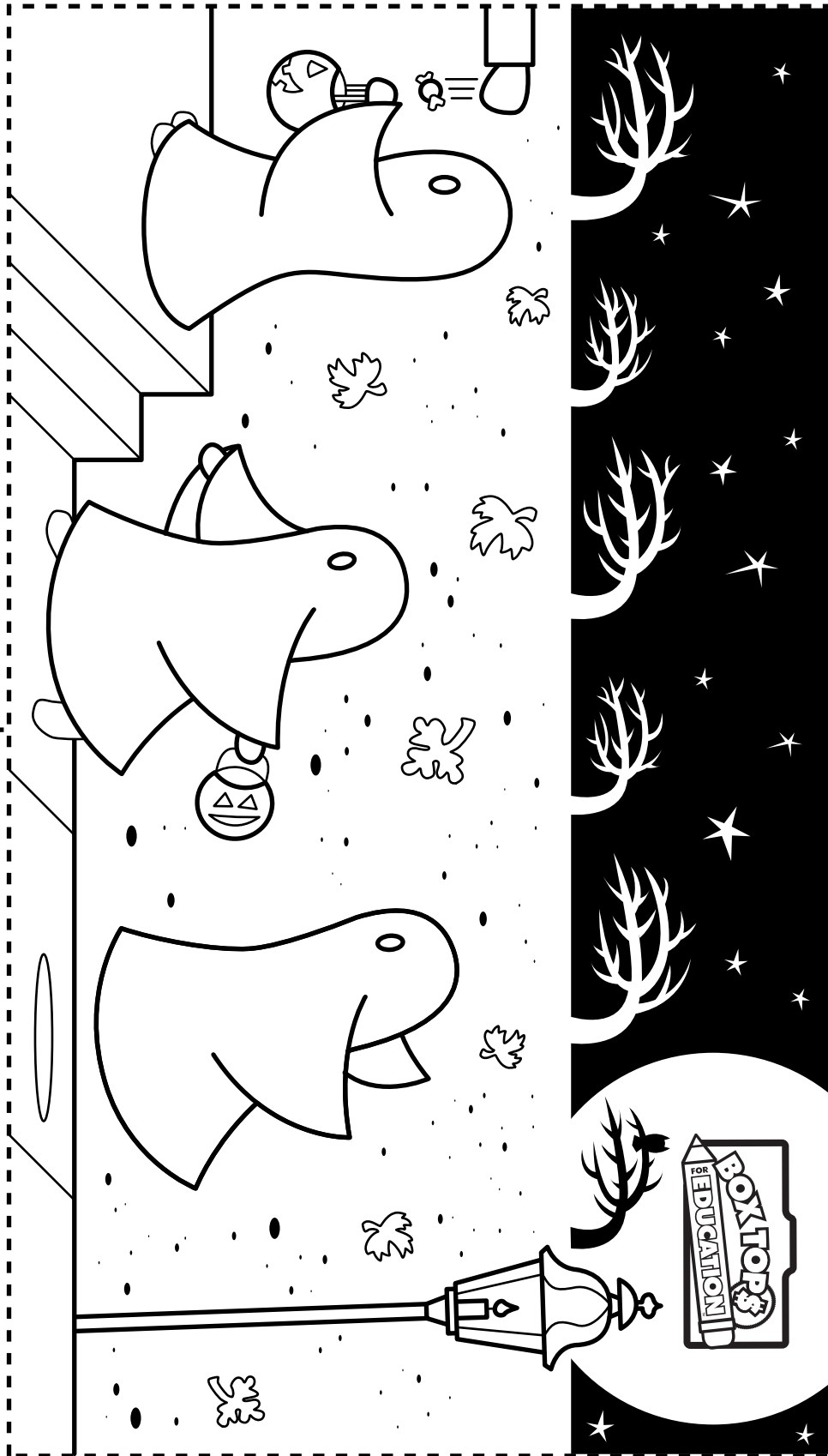
Help earn cash for

(school name) _____

Thanks!

(school supporter) _____





FOLD HERE

CUT ALONG DOTTED LINE

FOLD HERE

